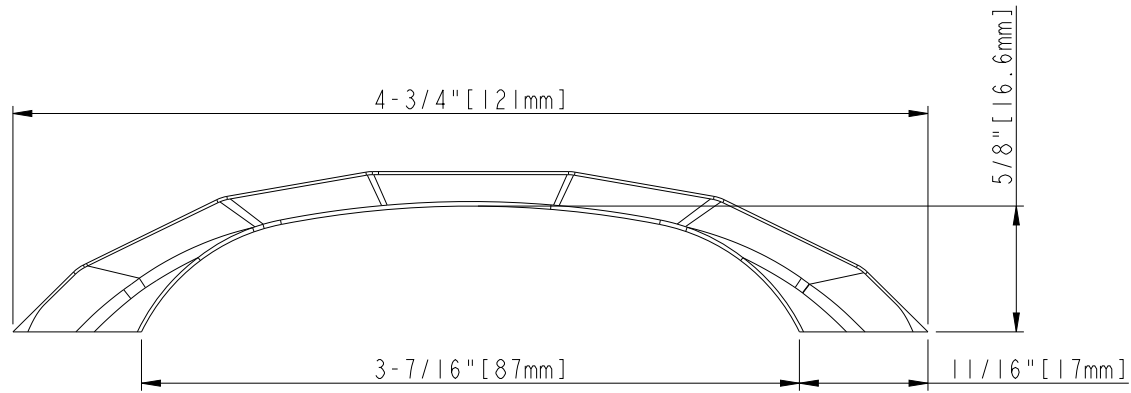


8-32 UNC - ∇ 8mm

3-3/4" [96mm] CC

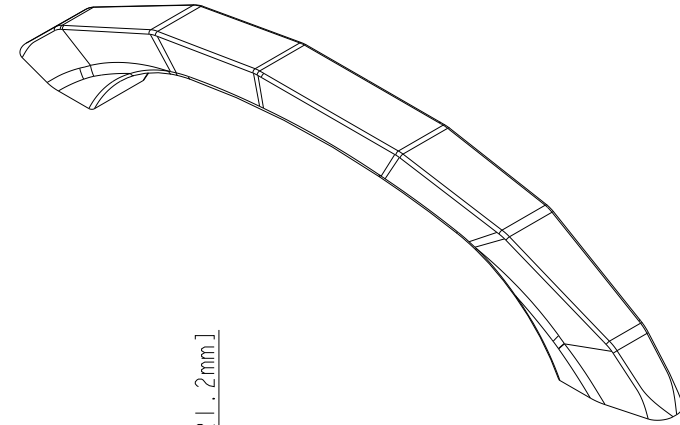


4-3/4" [121mm]

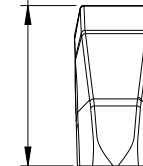
5/8" [16.6mm]

3-7/16" [87mm]

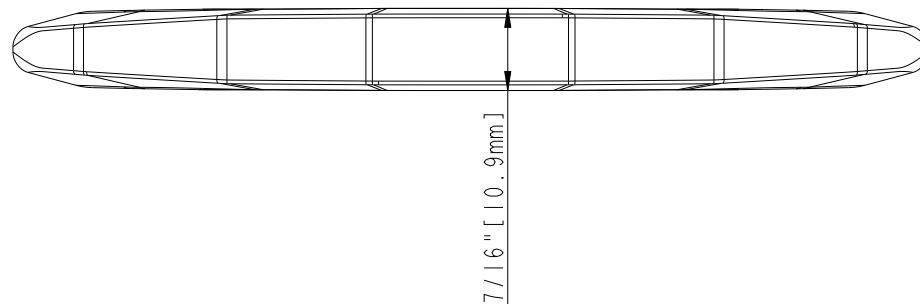
11/16" [17mm]



13/16" [21.2mm]




3/8" [10.1mm]



7/16" [10.9mm]

ACCESSORY:
 SCREW: 8-32X1" 2PCS
 BREAK AWAY SCREW: 8-32x45 2PCS
 ALL SCREW MATERIAL: STEEL-SAE1006

	ITEM#: 423-96		MATERIAL: Zamak 3	
	Finish:		WEIGHT: 45.4g/0.0991bs	
<p>PROPRIETARY AND CONFIDENTIAL</p> <p>THE INFORMATION CONTAINED IN THIS DRAWING IS THE SOLE PROPERTY OF HARDWARE RESOURCES INC. ANY REPRODUCTION IN PART OR AS A WHOLE WITHOUT THE WRITTEN PERMISSION OF HARDWARE RESOURCES INC. IS PROHIBITED.</p>	TOLERANCE UNLESS OTHERWISE SPECIFIED: X ±0.20 X.X ±0.10 X.XX ±0.05 ANGULAR: ±0.5°		UNITS:	DRAWN BY: Alexander.W
	DO NOT SCALE DRAWING		DATE: Dec-17-20	DATE:
	APPROVED BY:		DATE:	DATE:
	SHEET:		RELEASE LEVEL:	REVISION: